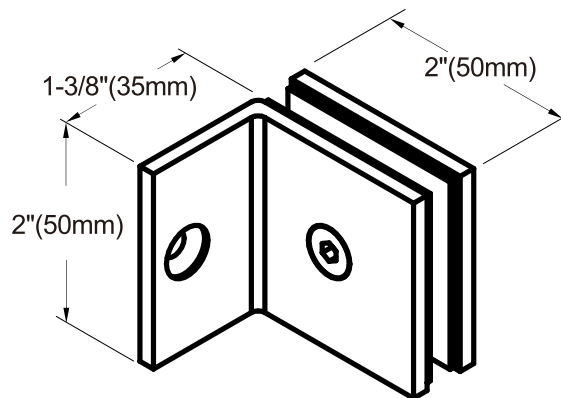


FRONT VIEW



REAR VIEW

SPECIFICATIONS

Material: Solid brass

Glass Thickness Range: 3/8"(10mm) to 1/2"(12mm)

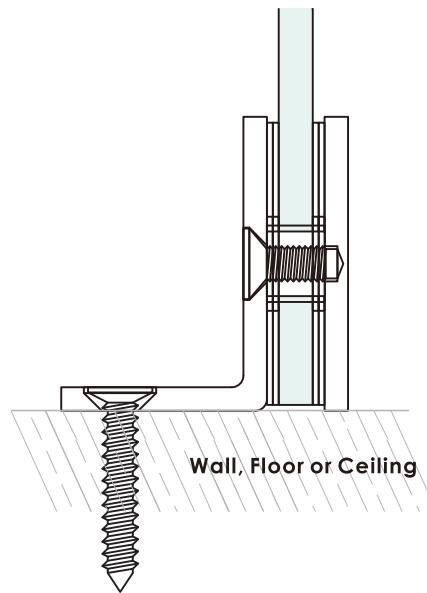
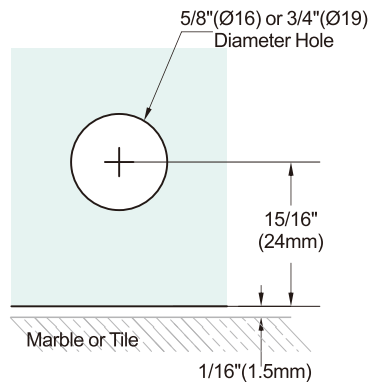
Hole Size Required: 3/4"(19mm)

Includes: Mounting screws and gaskets

Glass Clamps

Code NO. **SUC90WS**

Fixed Panel Square with Small Leg



Glass Cutout

IMPORTANT: Project measurements from the edge of the glass.

Glass Clamps

Code NO. **SUC90WS**

Fixed Panel Square with Small Leg

Email: info@sg-storeline.com
www.sg-storeline.com

