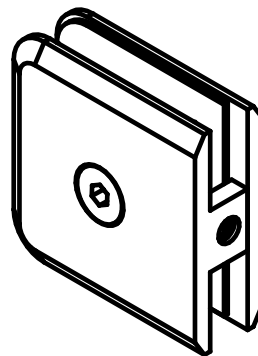


FRONT VIEW



REAR VIEW

Glass Clamps

Code NO. **BUC01**

Wall to Glass Style Hole-in-Glass Clamp
with Beveled Profile

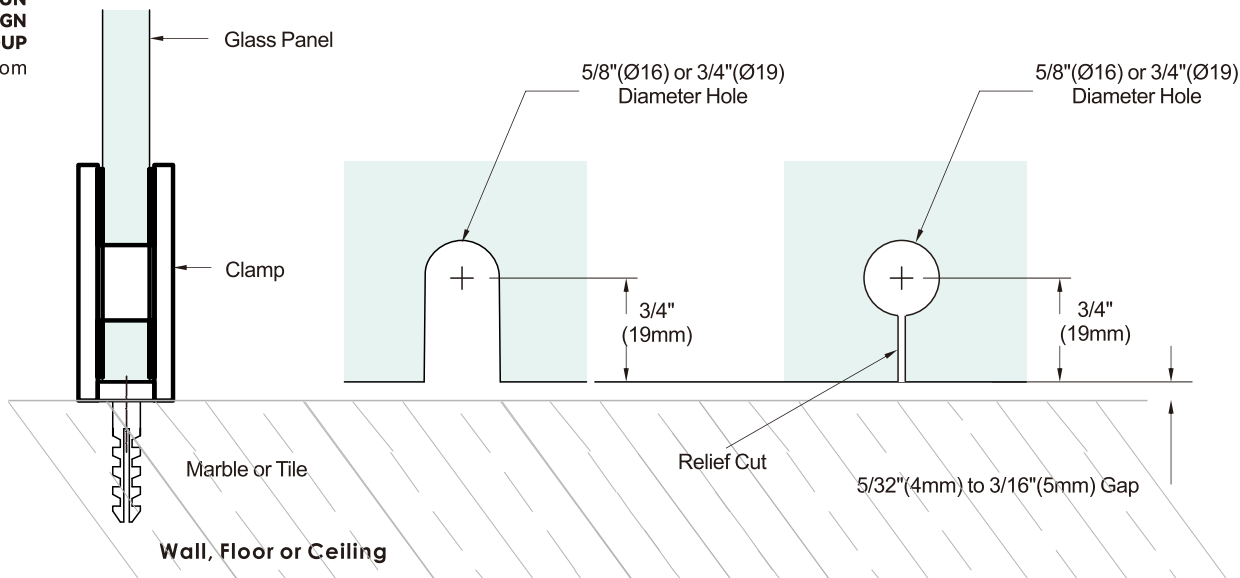
SPECIFICATIONS

Material: Solid brass

Glass Thickness Range: 3/8"(10mm) to 1/2"(12mm)

Hole Size Required: 5/8"(16mm) or 3/4"(19mm)

Includes: Mounting screws and gaskets



IMPORTANT: Project measurements from the edge of the glass.

Glass Clamps

Code NO. **BUC01**

Wall to Glass Style Hole-in-Glass Clamp
with Beveled Profile

Email: info@sg-storeline.com
www.sg-storeline.com

