

SPECIFICATIONS

All Holes Are 1/2" (12mm) Diameter
All Measurements Are Center-To-Center
Appropriate Clear Gaskets Included
Fits 1/4" (6mm) to 1/2" (12mm) Glass



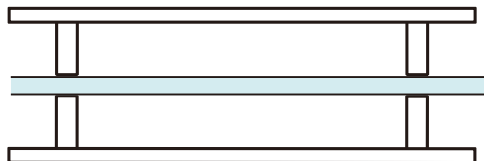
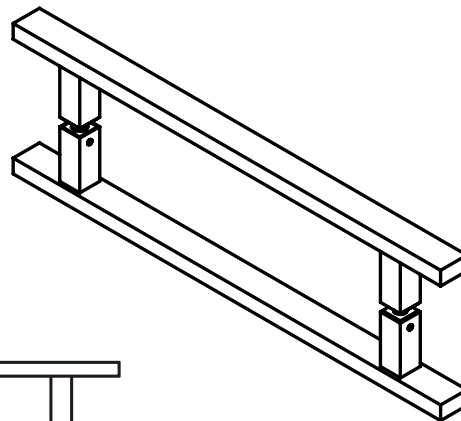
Pull Handles

Code NO. **PHLR6x6 / PHLR8x8 / PHLR12x12 / PHLR18x18 /
PHLR20x20 / PHLR24x24 / PHLR28x28 / PHLR30x30**

Contact information: +1 (470) 461 7492 / +86 138 2234 0936

Email: info@sg-storeline.com **www.sg-storeline.com**





SPECIFICATIONS

All Holes Are 1/2" (12mm) Diameter
All Measurements Are Center-To-Center
Appropriate Clear Gaskets Included
Fits 1/4" (6mm) to 1/2" (12mm) Glass



Pull Handles

Code NO. **PHLS6x6 / PHLS8x8 / PHLS12x12 / PHLS18x18 /
PHLS20x20 / PHLS24x24 / PHLS28x28 / PHLS30x30**

Contact information: +1 (470) 461 7492 / +86 138 2234 0936

Email: info@sg-storeline.com **www.sg-storeline.com**

