

Gemma

Code NO. **GEMA180**

Glass to Glass 180 Degree
(Adjustable)

Important Information:

This hinge contains a dual degree pivot pin. The pivot pin is set for normal door closing position. You have the option of altering the closing position of the door 5 degrees inward by utilizing the opposite side of the pivot pin, which has been pre-machined. Special order custom pivot pins are available that can be machined at any angle up to 45 degrees.

Specifications:

Glass Sizes: 3/8" (10mm) to 1/2" (12mm) thick tempered safety glass

Construction: Solid brass

Closing Type: Self-centering when within 15° of closed position
Cutout Required

Includes: Gaskets, screws and template

Maximum Door Capacities for Two Hinges or Three Hinges:

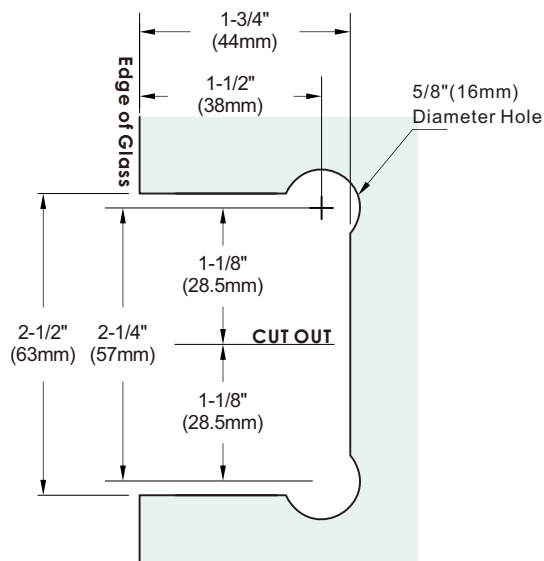
Maximum Door Weight: 80 lbs.(36kg) 120 lbs.(54kg)

Maximum Door Width: 28"(711mm) 32"(813mm)

Use of Gaskets:

For 3/8" (10mm) Glass: Use one thick gasket on each side

For 1/2" (12mm) Glass: Use one thick gasket on each side



Glass Cutout

IMPORTANT: Project measurements from the edge of the glass.

Gemma

Code NO. **GEMA180**

Glass to Glass 180 Degree
(Adjustable)

Contact information: +1 (470) 461 7492 / +86 138 2234 0936

Email: info@sg-storeline.com www.sg-storeline.com

