

SPECIFICATIONS

All Holes Are 1/2" (12mm) Diameter
All Measurements Are Center-To-Center
Appropriate Clear Gaskets Included
Fits 1/4" (6mm) to 1/2" (12mm) Glass



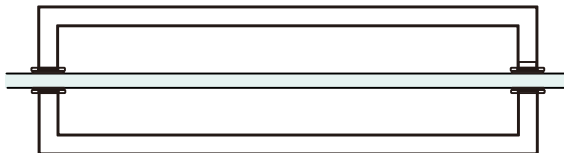
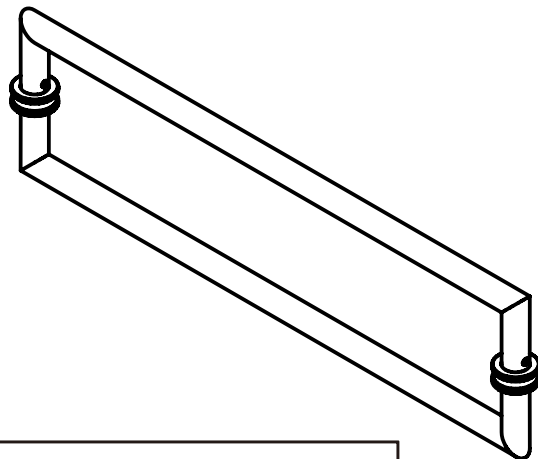
Pull Handles

Code NO. **PHR6x6 / PHR8x8 / PHR12x12 / PHR18x18 / PHR20x20 / PHR24x24 / PHR28x28 / PHR30x30**

Contact information: +1 (470) 461 7492 / +86 138 2234 0936

Email: info@sg-storeline.com **www.sg-storeline.com**





SPECIFICATIONS

All Holes Are 1/2" (12mm) Diameter
All Measurements Are Center-To-Center
Appropriate Clear Gaskets Included
Fits 1/4" (6mm) to 1/2" (12mm) Glass



Pull Handles

Code NO. **PHRS6x6 / PHRS8x8 / PHRS12x12 / PHRS18x18 / PHRS20x20 / PHRS24x24 / PHRS28x28 / PHRS30x30**

Contact information: +1 (470) 461 7492 / +86 138 2234 0936

Email: info@sg-storeline.com

www.sg-storeline.com

