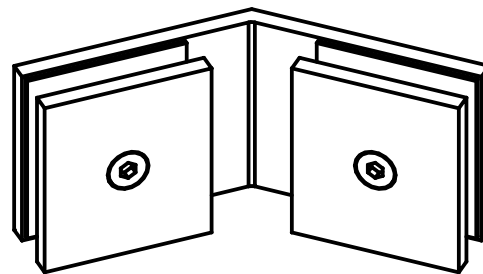


FRONT VIEW



REAR VIEW

Glass Clamps

Code NO. **SUC135G1**

Square 135° Glass Clamp

SPECIFICATIONS

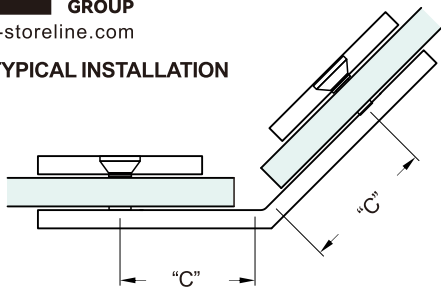
Material: Solid brass

Glass Thickness Range: 5/16" (8mm) to 1/2" (12mm)

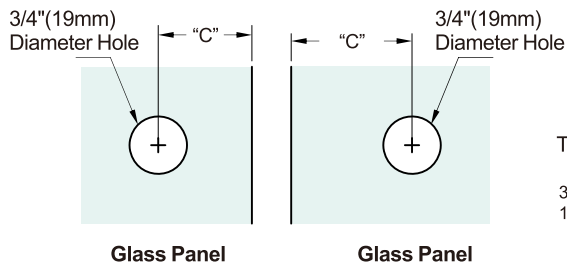
Hole Size Required: 3/4" (19mm)

Includes: Mounting screws and gaskets

TYPICAL INSTALLATION

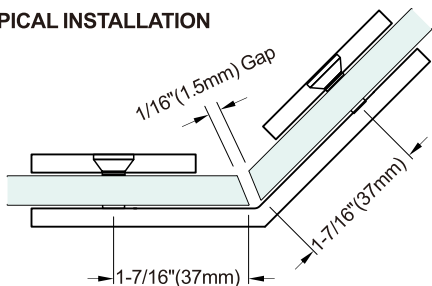


TEMPLATE FOR SQUARE CUT GLASS



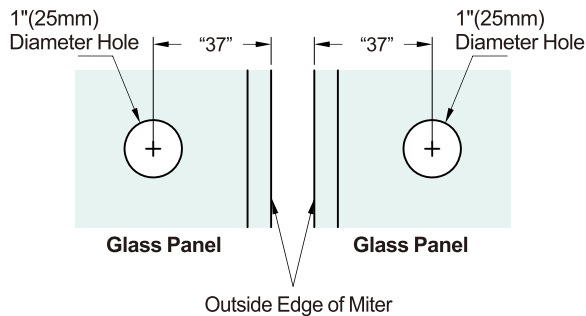
Glass Thickness	"C" Measurement
3/8" (10mm)	1-5/16" (33mm)
1/2" (12mm)	1-1/4" (32mm)

TYPICAL INSTALLATION



* From the Outside Edge of Miter

TEMPLATE OPTION FOR 22-1/2° MITERED GLASS



Glass Clamps

Code NO. **SUC135G1**

Square 135° Glass Clamp

Email: info@sg-storeline.com
www.sg-storeline.com

