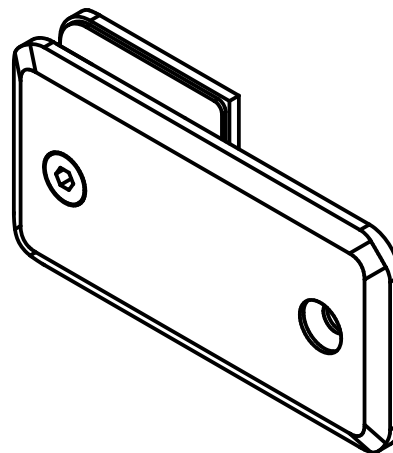


FRONT VIEW



REAR VIEW

SPECIFICATIONS

Material: Solid brass

Glass Thickness Range: 5/16"(8mm) to 1/2"(12mm)

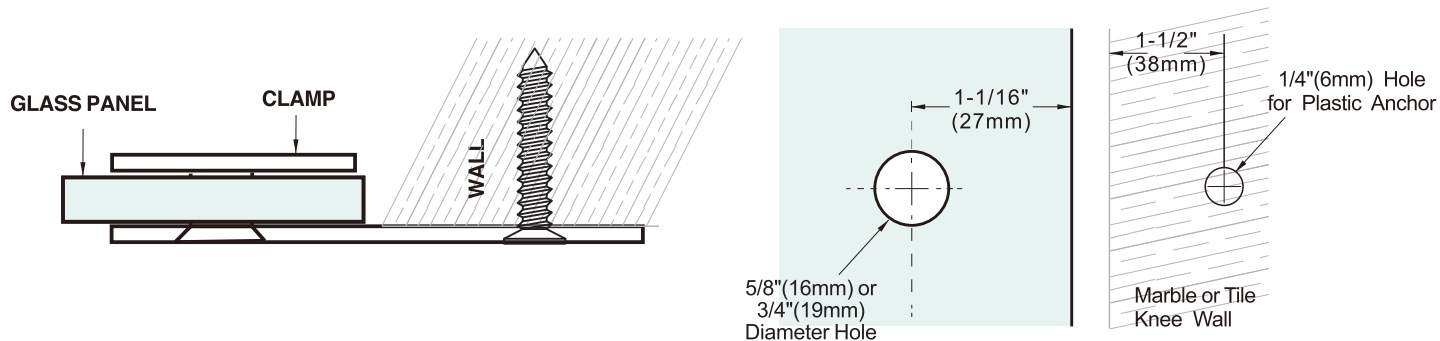
Hole Size Required: 3/4"(19mm)

Includes: Mounting screws and gaskets

Glass Clamps

Code NO. **BUC180A**

Wall-to-Glass Application



IMPORTANT: Project measurements from the edge of the glass.

Glass Clamps

Code NO. **BUC180A**

Wall-to-Glass Application

Email: info@sg-storeline.com

www.sg-storeline.com

