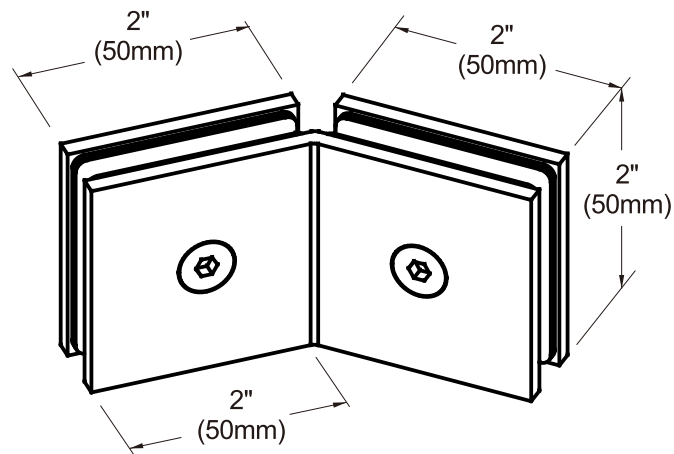


FRONT VIEW



REAR VIEW

Glass Clamps

Code NO. **SUC135**

Square 135° Glass Clamp

SPECIFICATIONS

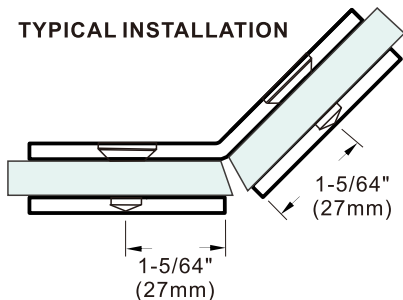
Material: Solid brass

Glass Thickness Range: 5/16"(8mm) to 1/2"(12mm)

Hole Size Required: 5/8"(16mm)

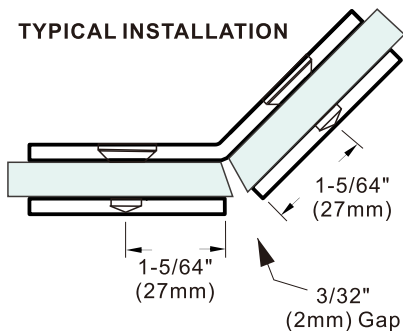
Includes: Mounting screws and gaskets

TYPICAL INSTALLATION



*From the Outside Edge of Miter

TYPICAL INSTALLATION

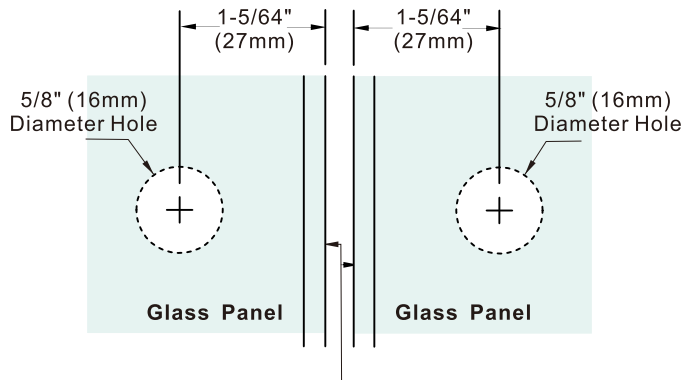


Glass Clamps

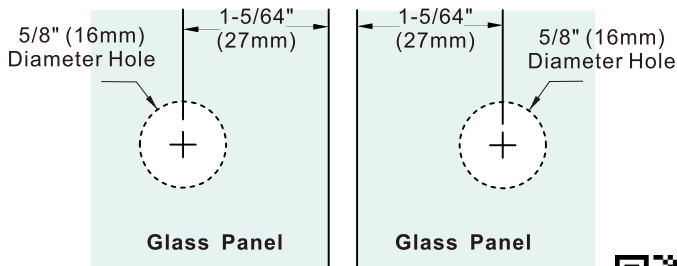
Code NO. **SUC135**

Square 135° Glass Clamp

TEMPLATE OPTION FOR 22-1/2° MITERED GLASS



TEMPLATE FOR SQUARE CUT GLASS



Email: info@sg-storeline.com

www.sg-storeline.com

